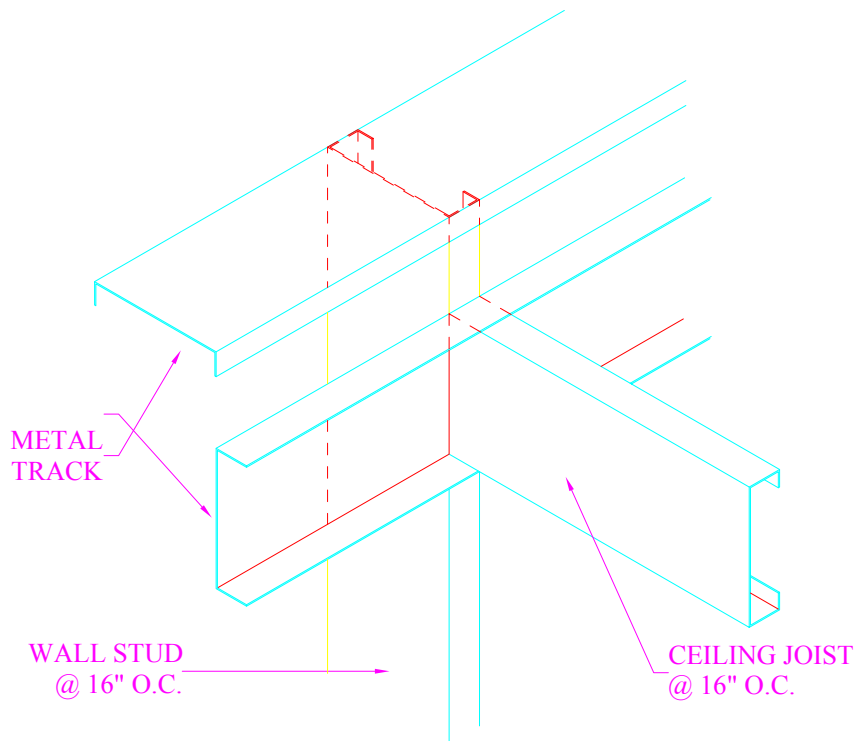


PANEL CONNECTION @ ALL STUDS



CEILING JOIST @ SIDE WALL

15 19	REV:
	SALES:
	DRAWN BY: JH
	CHECKED BY:
	DATE: 2/24/14 SCALE: 1:8

PROJECT:
Standard Racquetball Court
Ceiling Joist @ Side Wall
Panel Connections



CLASSIC WOODWORKING
 8160 SW JACKTOWN ROAD
 BEAVERTON, OR 97007
 (503) 692-0800
 FAX # (503) 692-7070