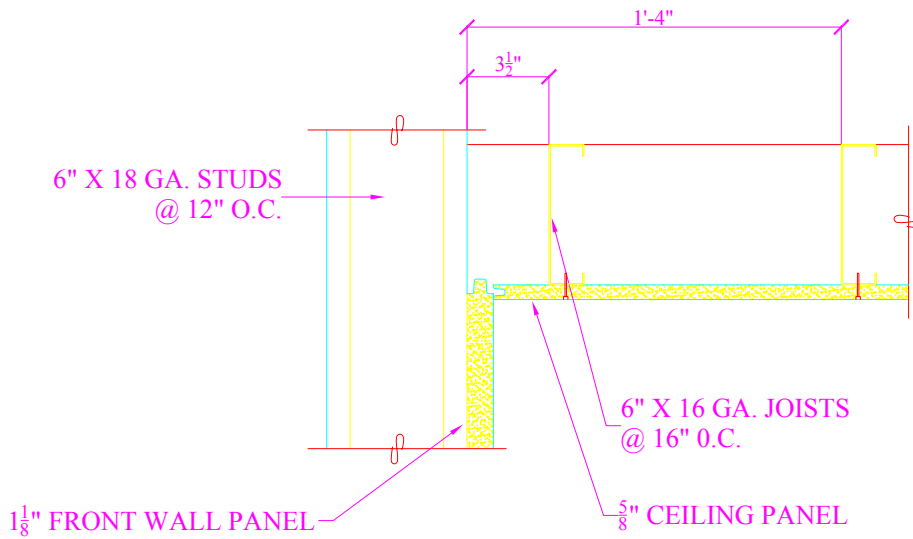


## SIDE WALL CEILING CONNECTION



## FRONT WALL CEILING CONNECTION

16 19	REV:
	SALES:
	DRAWN BY: JH
	CHECKED BY:
	DATE: 2/24/14    SCALE: 1:8

PROJECT:  
 Standard Racquetball Court  
 Front Wall & Side Wall  
 Ceiling Connections



**CLASSIC WOODWORKING**  
 8160 SW JACKTOWN ROAD  
 BEAVERTON, OR 97007  
 (503) 692-0800  
 FAX # (503) 692-7070