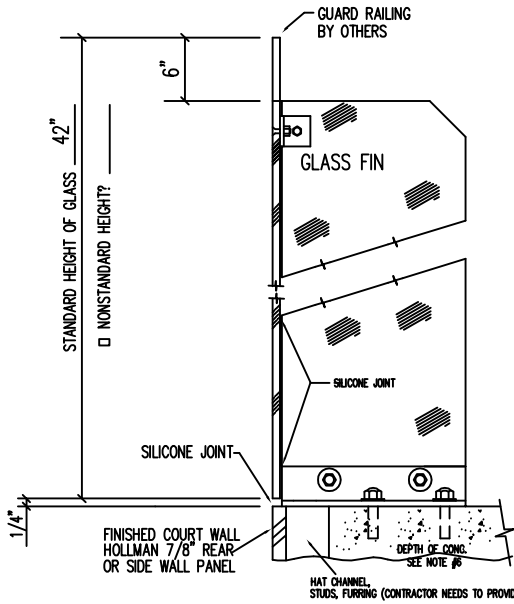


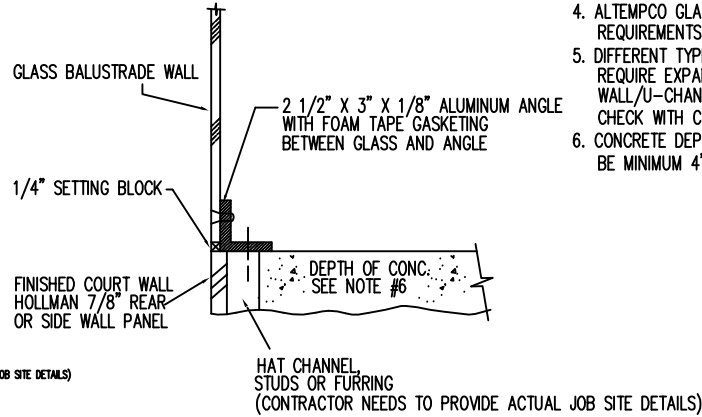
## GENERAL NOTES

UNLESS OTHERWISE NOTED:

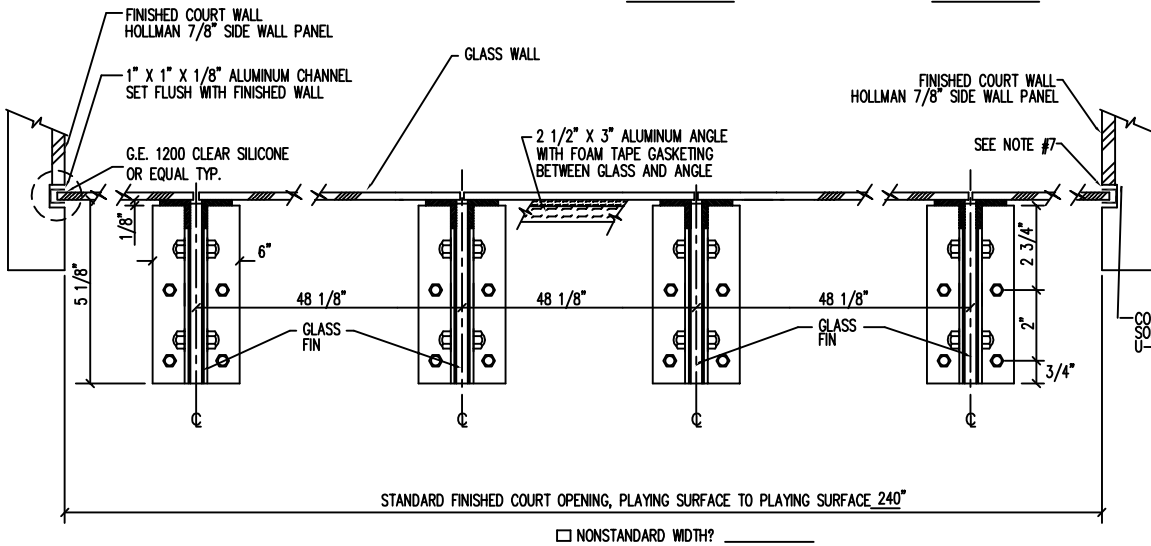
1. ALL GLASS IS 1/2" CLEAR TEMPERED.
2. ALL FASTENERS TO ATTACH ALUMINUM ANGLE/CHANNEL TO SUBSTRATE BY INSTALLER.
3. ALL GLASS CONNECTION FITTINGS ARE BLACK HIGH TENSILE POLYURETHANE.
4. ALTEMPCO GLASS WALLS MEET AND/OR EXCEED THE BOCA REQUIREMENTS.
5. DIFFERENT TYPES OF COURT AND FLOOR SYSTEMS MAY REQUIRE EXPANSION SPACING BETWEEN GLASS WALL/U-CHANNEL AND COURT OR FLOOR SYSTEM. CHECK WITH COURT AND FLOORING MANUFACTURERS.
6. CONCRETE DEPTH UNDER GLASS WALLS & FINs MUST BE MINIMUM 4" AND CLEAR OF ALL REINFORCING ROD.



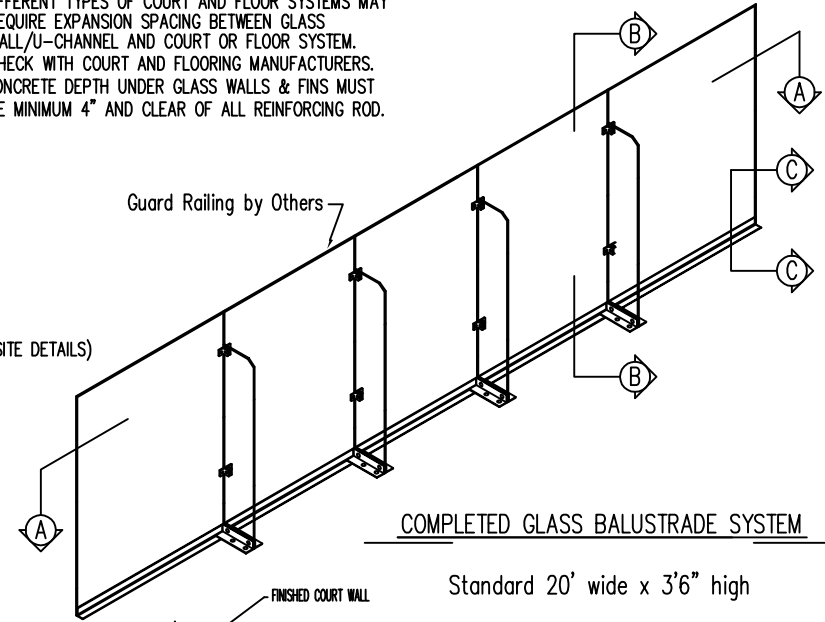
**SECTION "B"**



**SECTION "C"**

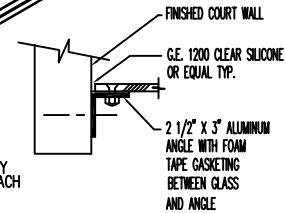


**SECTION "A"**



**COMPLETED GLASS BALUSTRADE SYSTEM**

Standard 20' wide x 3'6" high



ANGLE-1  
ALTERNATE SIDE WALL DETAIL

: Typically used when a glass wall is being added to an existing court or when the u-channel cannot be installed so that it is flush with the side wall playing surface.

**SIDE WALL DETAILS**

CHECK BOX IF DIMENSIONS OR ALTERNATES ARE NOT STANDARD.

NOTE: IT IS THE CLIENT'S RESPONSIBILITY TO INSURE THE DRAWING'S ACCURACY AND COMPLETENESS.

<small>THIS DRAWING IS THE CONFIDENTIAL PROPERTY OF HOLLMAN, INC. AND IS NOT TO BE REPRODUCED OR DISSEMINATED WITHOUT THE CONSENT OF HOLLMAN, INC.</small>		<small>1/1/00</small>
<b>ALTEMPCO</b>		
CLIENT: .....		
PROJECT: .....		
STANDARD 20' x 3'6" GLASS BALUSTRADE		36" DOOR
REVISIONS:	DRAWN BY:	
	APPROVED BY:	
	DATE ISSUED:	
	SCALE:	NOT TO SCALE
	DRAWING NUMBER:	