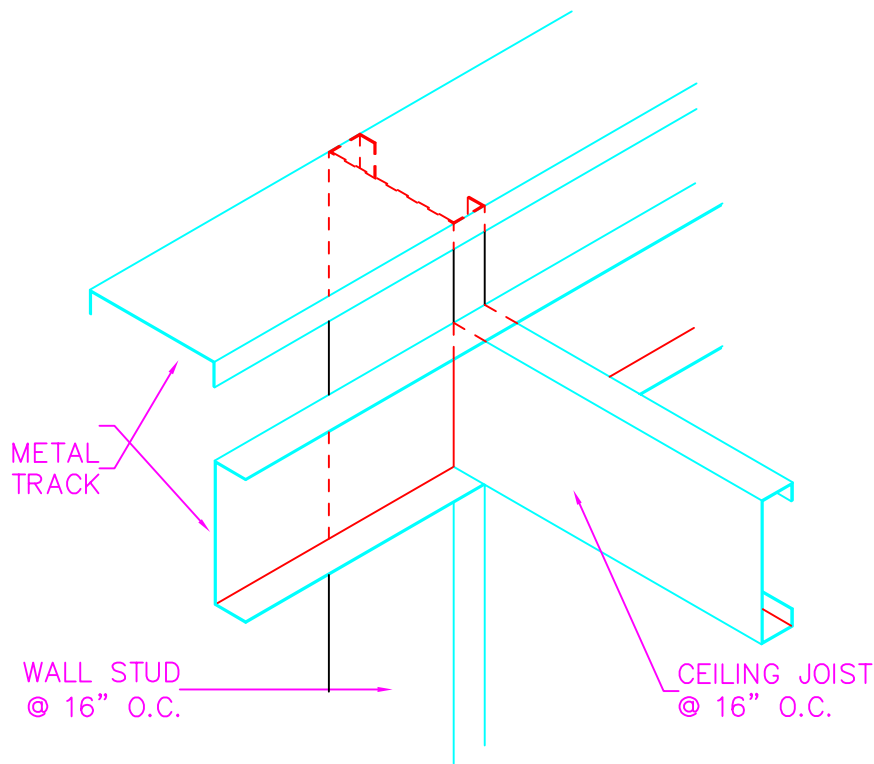



PANEL CONNECTION @
ALL STUDS



CEILING JOIST @
SIDE WALL

13 17	REV:
	SALES: JRH
	DRAWN BY: JRH
	CHECKED BY:
	DATE: 7/25/16 SCALE: 1:8

PROJECT:
Standard Racquetball Court
Ceiling Joist @ Side Wall
Panel Connections



CLASSIC WOODWORKING
PO Box 127
North Plains, OR 97133
(503) 692-0800
FAX # (503) 692-7070