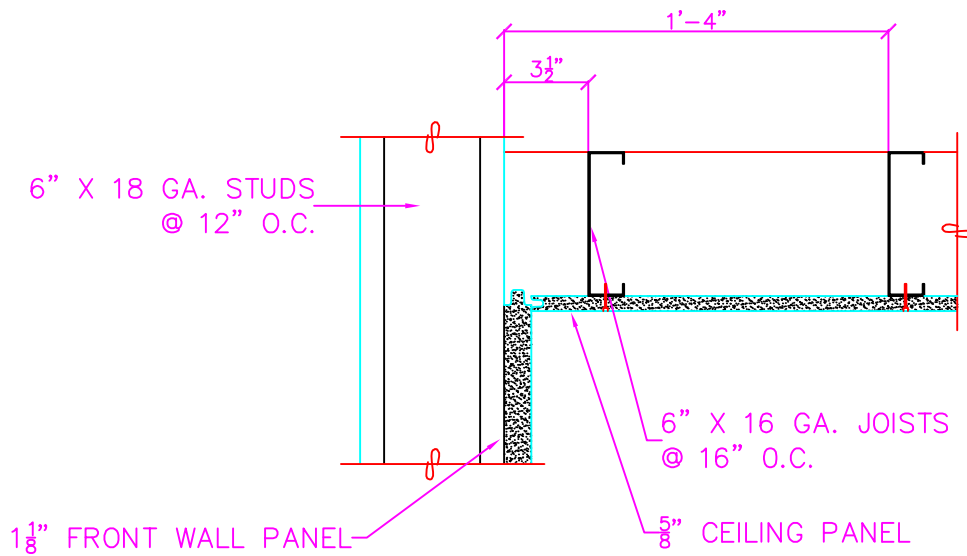


## SIDE WALL CEILING CONNECTION



## FRONT WALL CEILING CONNECTION

14 17	REV:
	SALES: JRH
	DRAWN BY: JRH
	CHECKED BY:
	DATE: 7/25/16    SCALE: 1:8

PROJECT:  
Standard Racquetball Court  
Front Wall & Side Wall  
Ceiling Connections



**CLASSIC  
WOODWORKING**  
PO Box 127  
North Plains, OR 97133  
(503) 692-0800  
FAX # (503) 692-7070