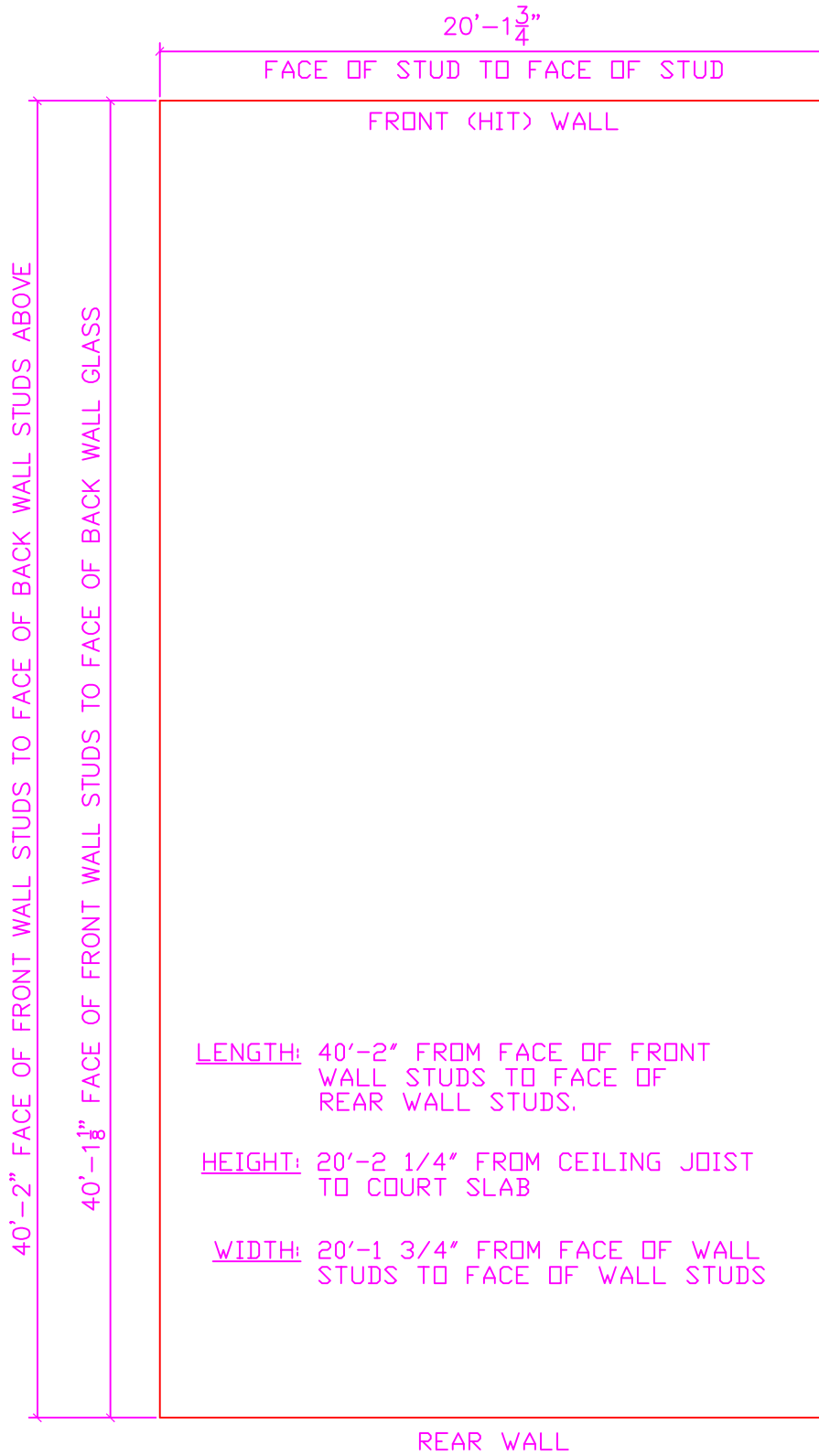


	REV:
	SALES: JRH
	DRAWN BY: JRH
	CHECKED BY:
	DATE: 7/25/16 SCALE: 3/16"=12"

PROJECT:
 Standard Racquetball Court
 Floor Plan



CLASSIC WOODWORKING
 PO Box 127
 North Plains, OR 97133
 (503) 692-0800
 FAX # (503) 692-7070

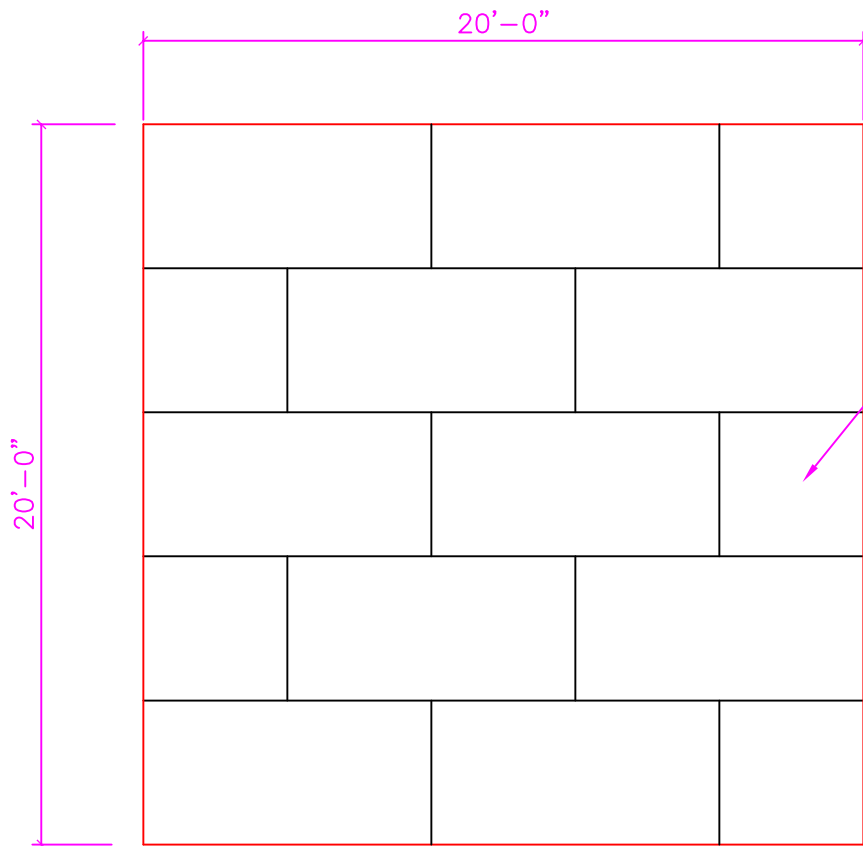


	REV:
	SALES: JRH
	DRAWN BY: JRH
	CHECKED BY:
	DATE: 7/25/16 SCALE: 3/16"=12"

PROJECT:
 Standard Racquetball Court
 Rough Framing Dimensions



CLASSIC WOODWORKING
 PO Box 127
 North Plains, OR 97133
 (503) 692-0800
 FAX # (503) 692-7070



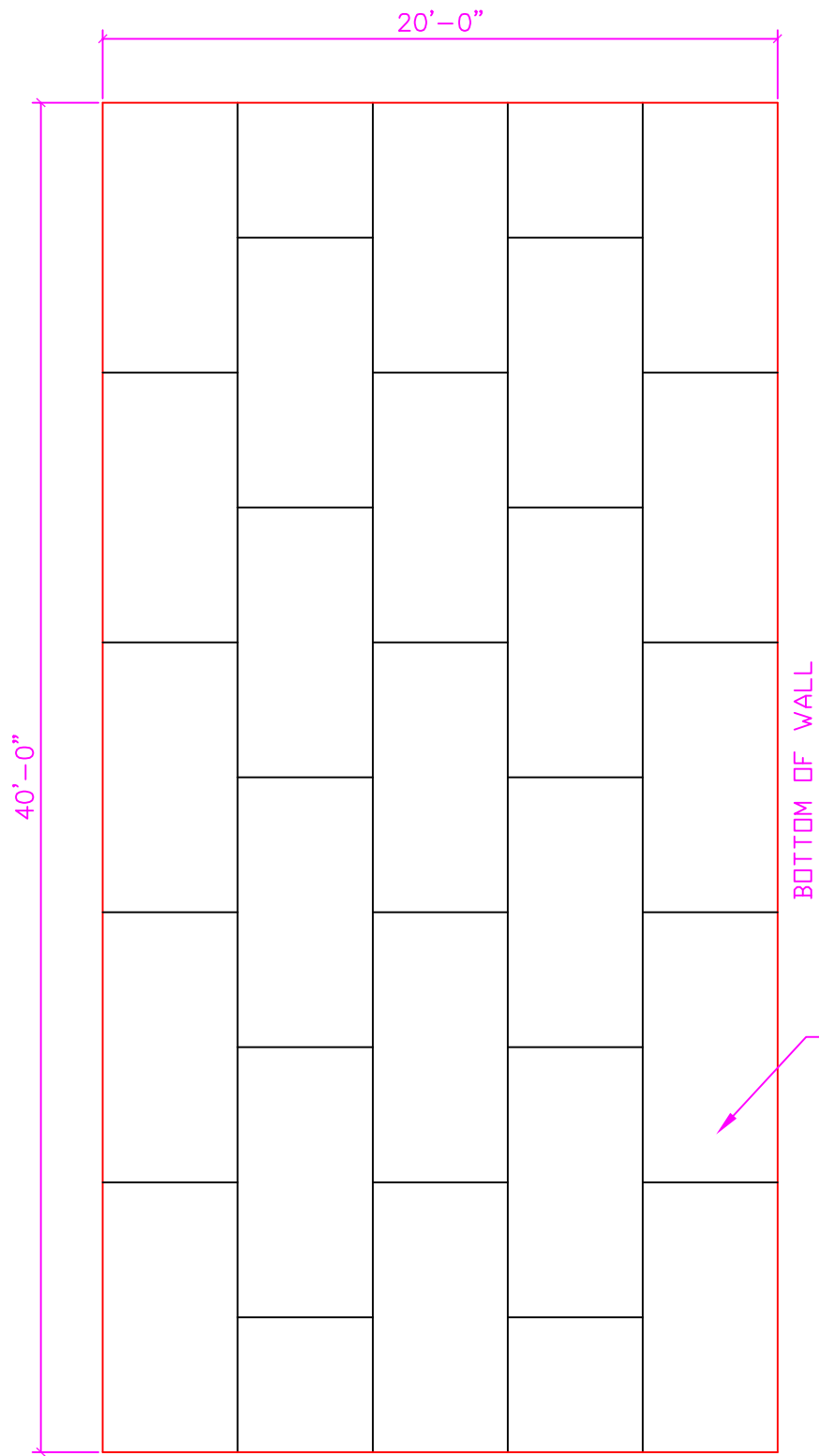
CLASSIC
 1 1/8" THICK,
 TONGUE &
 GROOVE
 PANELS.

17 3 17	REV:
	SALES: JRH
	DRAWN BY: JRH
	CHECKED BY:
	DATE: 7/25/16 SCALE: 3/16"=12"

PROJECT:
 Standard Racquetball Court
 Front Wall Elevation

**CLASSIC
WOODWORKING**

PO Box 127
 North Plains, OR 97133
 (503) 692-0800
 FAX # (503) 692-7070



CLASSIC $\frac{7}{8}$ " THICK
TONGUE & GROOVE
PANELS.

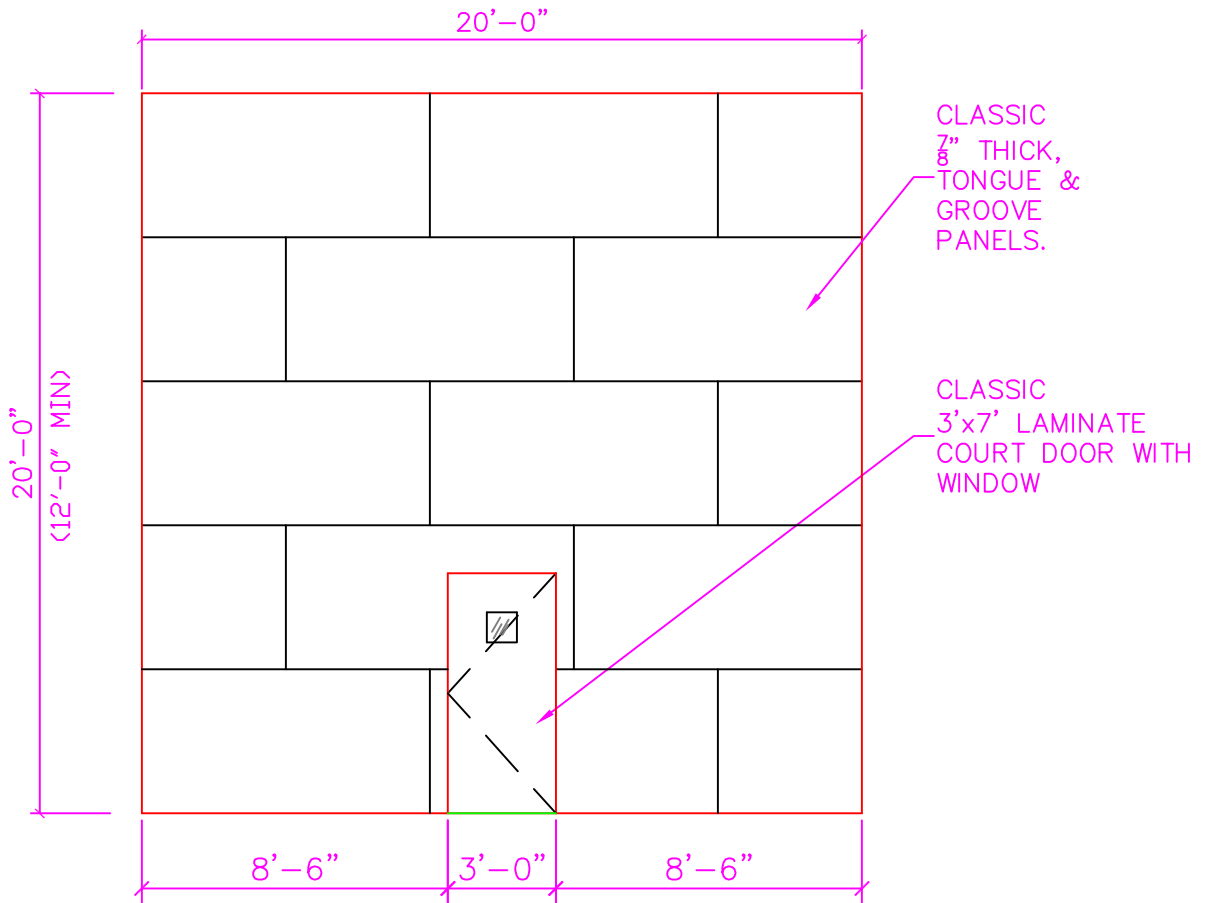
	REV:
	SALES: JRH
	DRAWN BY: JRH
	CHECKED BY:
	DATE: 7/25/16
SCALE: 3/16"=12"	

PROJECT:
Standard Racquetball Court
Side Wall Elevation



CLASSIC WOODWORKING
PO Box 127
North Plains, OR 97133
(503) 692-0800
FAX # (503) 692-7070

NOTE: REAR WALL MAY STOP AT 12'-0" HEIGHT WITH OPEN SPACE ABOVE



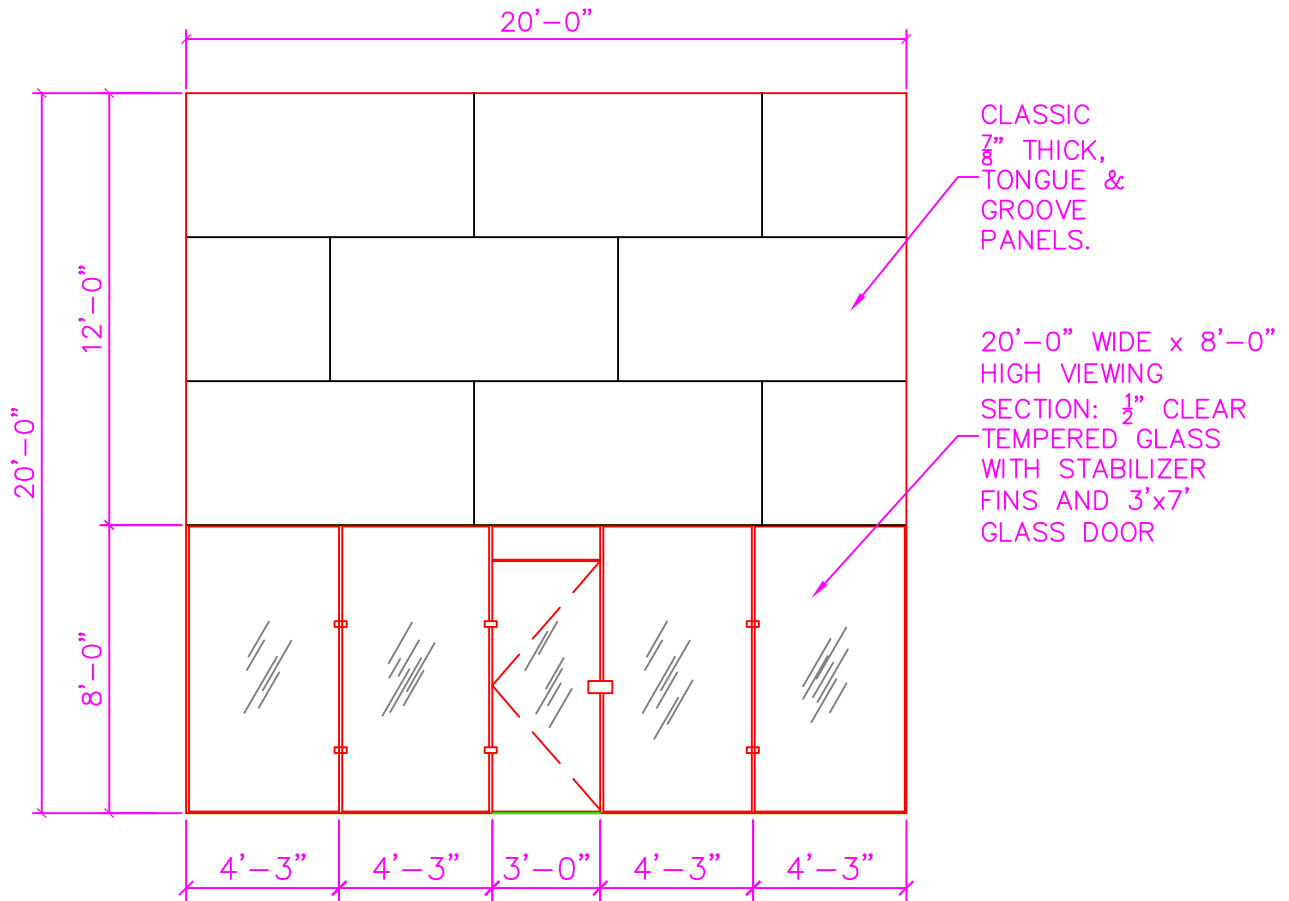
5 17	REV:
	SALES: JRH
	DRAWN BY: JRH
	CHECKED BY:
	DATE: 7/25/16 SCALE: 3/16"=12"

PROJECT:
 Standard Racquetball Court
 Rear Wall Elevation with Panels



CLASSIC WOODWORKING
 PO Box 127
 North Plains, OR 97133
 (503) 692-0800
 FAX # (503) 692-7070

NOTE: REAR WALL MAY STOP AT 12'-0" HEIGHT WITH OPEN SPACE ABOVE



CLASSIC
7/8" THICK,
TONGUE &
GROOVE
PANELS.

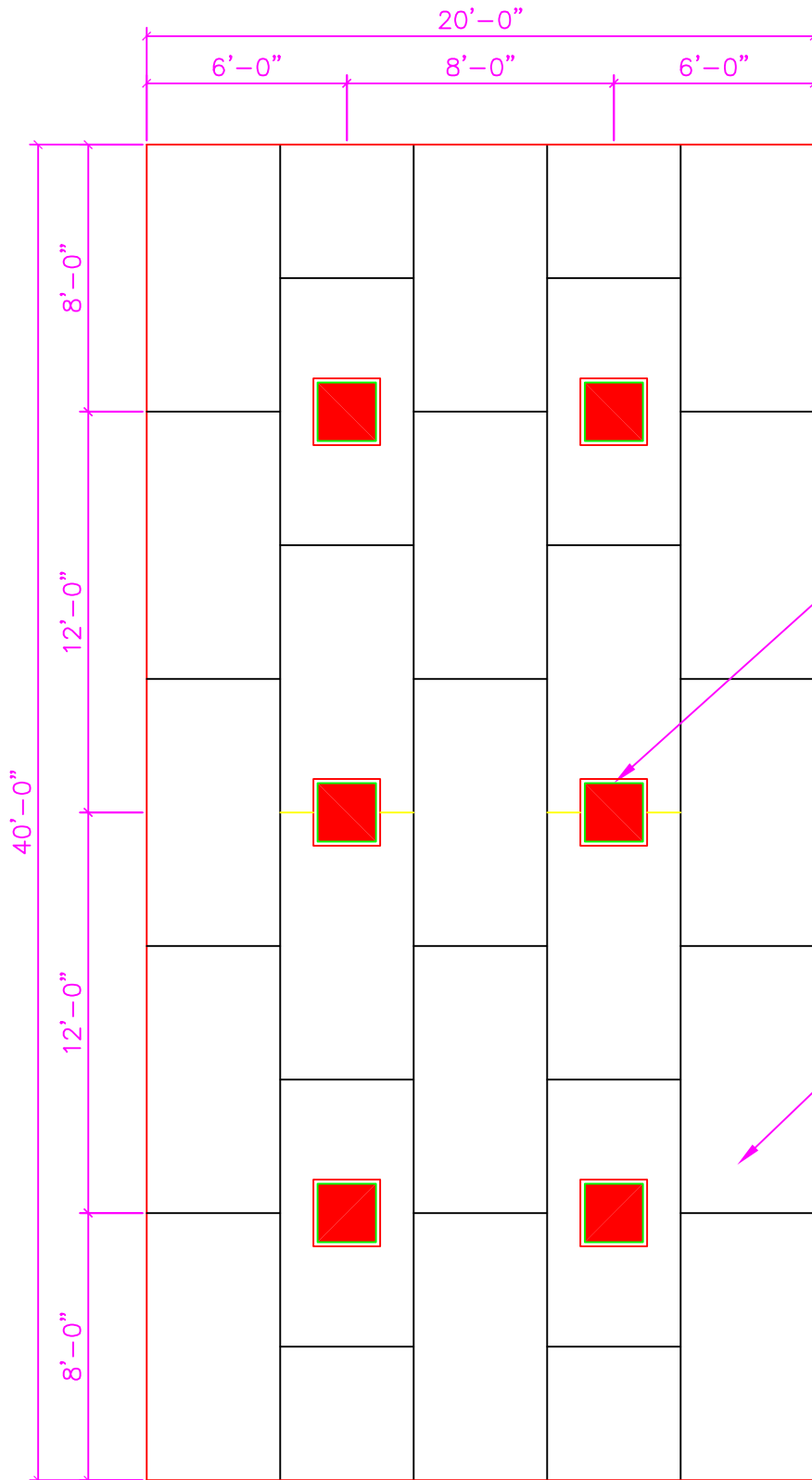
20'-0" WIDE x 8'-0"
HIGH VIEWING
SECTION: 1/2" CLEAR
TEMPERED GLASS
WITH STABILIZER
FINS AND 3'x7'
GLASS DOOR

17 9 17	REV:
	SALES: JRH
	DRAWN BY: JRH
	CHECKED BY:
	DATE: 7/25/16 SCALE: 3/16"=12"

PROJECT:
Standard Racquetball Court
Rear Wall Elevation with Glass



CLASSIC WOODWORKING
PO Box 127
North Plains, OR 97133
(503) 692-0800
FAX # (503) 692-7070



(6) COURT LIGHTS.
ROUGH OPENING
23 $\frac{1}{2}$ " x 23 $\frac{1}{2}$ "

CLASSIC 5"
TONGUE & GROOVE
CEILING PANELS.

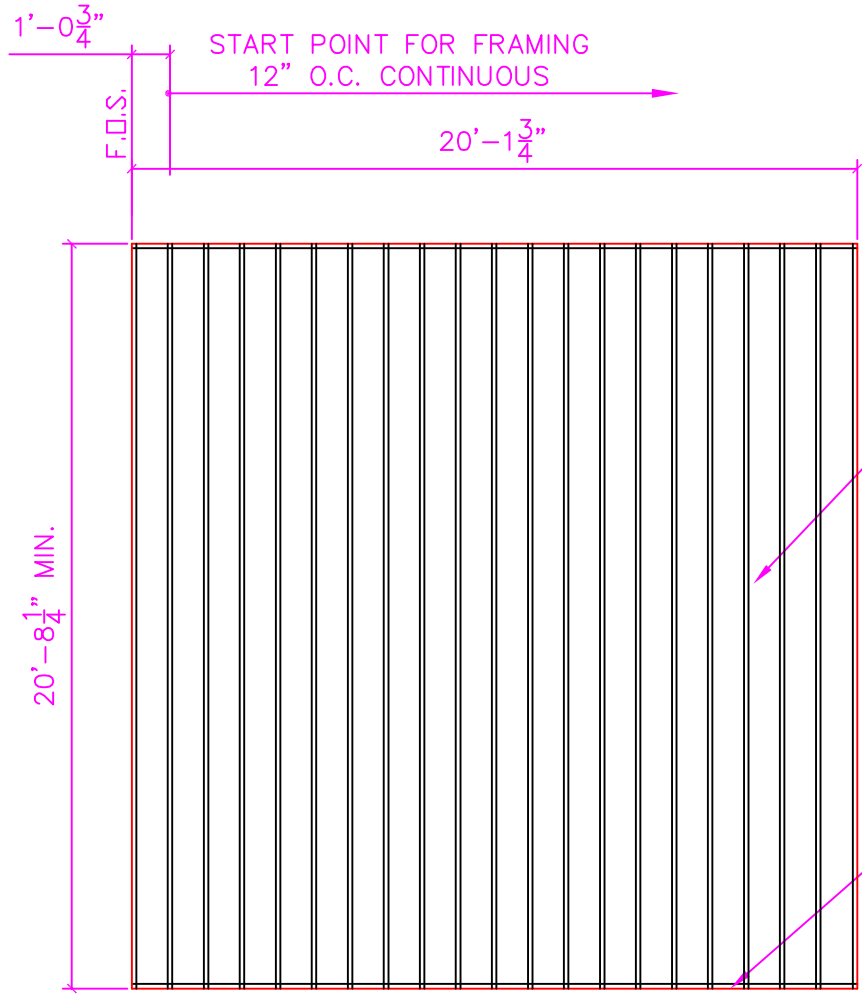
	REV:
	SALES: JRH
	DRAWN BY: JRH
	CHECKED BY:
	DATE: 7/25/16 SCALE: 3/16"=12"

PROJECT:
Standard Racquetball Court
Reflected Ceiling Plan
2x2 LED Lights 120V/277V (1st Source Lighting)



CLASSIC WOODWORKING

PO Box 127
North Plains, OR 97133
(503) 692-0800
FAX # (503) 692-7070



6" 18 GA. STUDS @ 12" O.C.
WITH OPTIONAL R-19
FIBERGLASS INSULATION
BETWEEN STUDS.

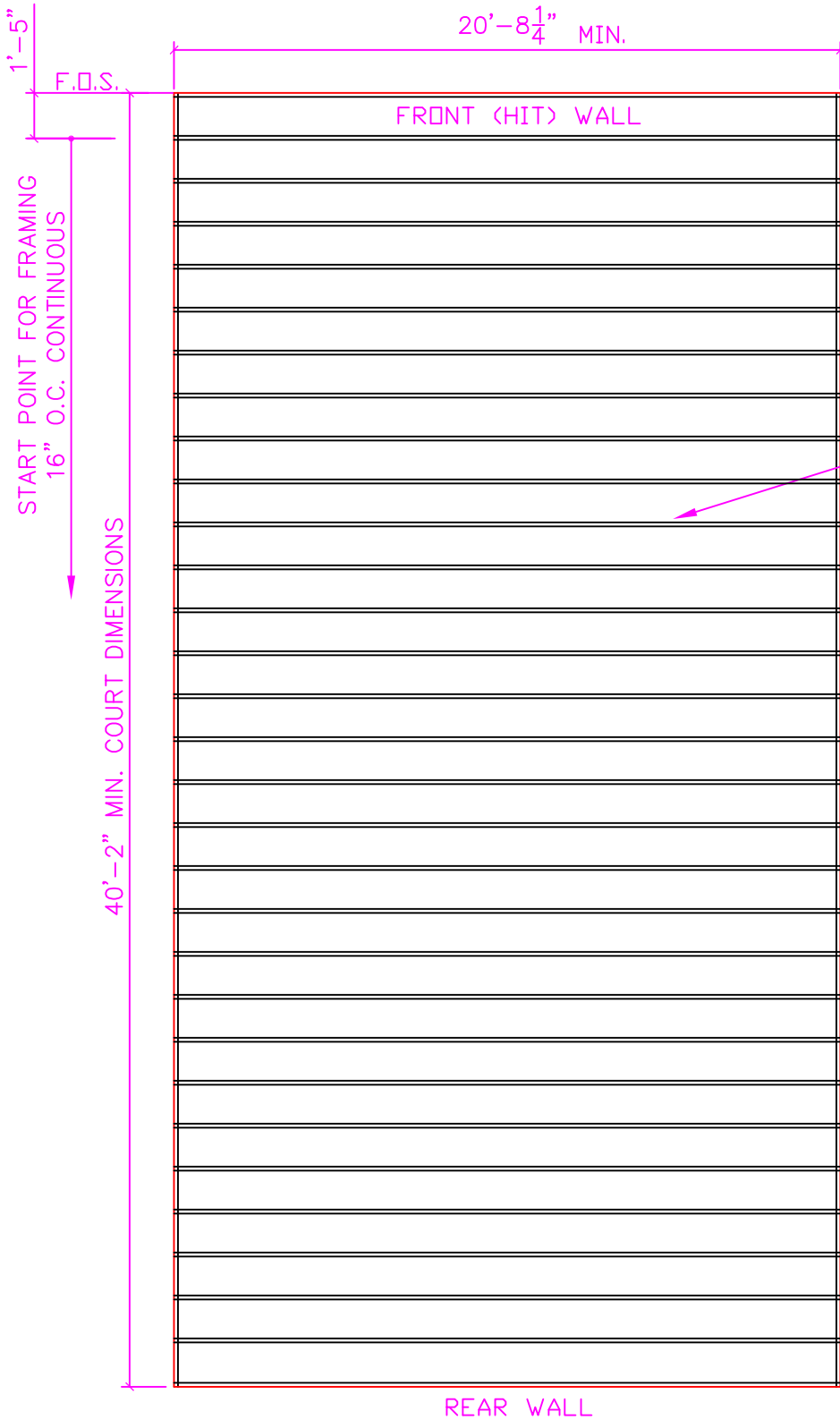
18 GA. TRACK
@TOP & BOTTOM.

8 17	REV:
	SALES: JRH
	DRAWN BY: JRH
	CHECKED BY:
	DATE: 7/25/16 SCALE: 3/16"=12"

PROJECT:
Standard Racquetball Court
Front Wall Framing



CLASSIC WOODWORKING
PO Box 127
North Plains, OR 97133
(503) 692-0800
FAX # (503) 692-7070



NOTE:
 40'-2" MIN. DIMENSION
 IS FOR THE ACTUAL
 PLAYING COURT.
 THEREFORE, THIS
 FRAMING MAY EXTEND
 BEYOND THE COURT
 REAR WALL TO FORM
 WALLS OF THE VIEWING
 AREA.

6" X 18 GA.
 METAL STUDS
 @ 16" O.C. TYP.

BOTTOM OF WALL

18 GA. TRACK
 @ TOP & BOTTOM.

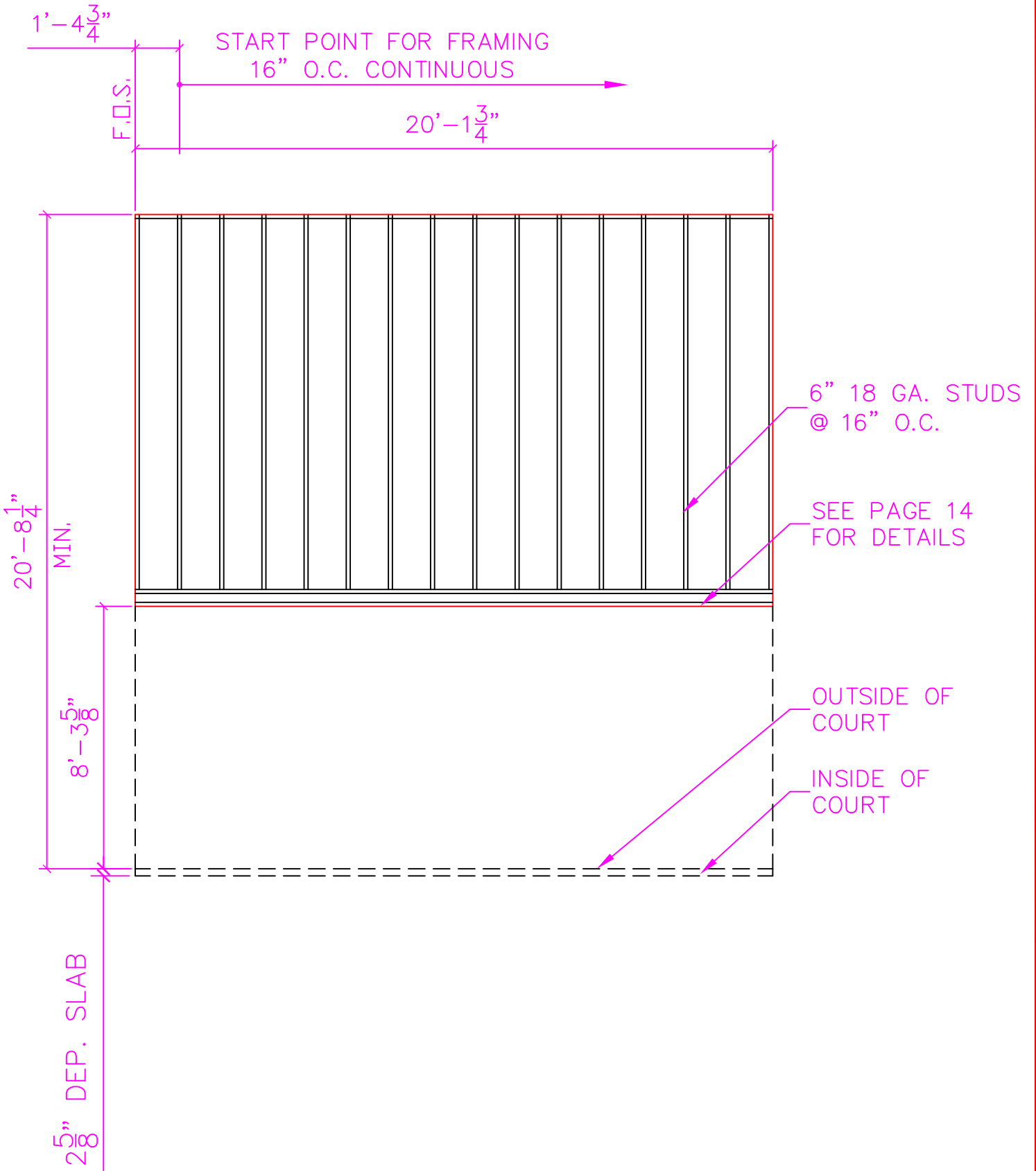
	REV:
	SALES: JRH
	DRAWN BY: JRH
	CHECKED BY:
	DATE: 7/25/16 SCALE: 3/16"=12"

PROJECT:
 Standard Racquetball Court
 Side Wall Framing



**CLASSIC
WOODWORKING**

PO Box 127
 North Plains, OR 97133
 (503) 692-0800
 FAX # (503) 692-7070

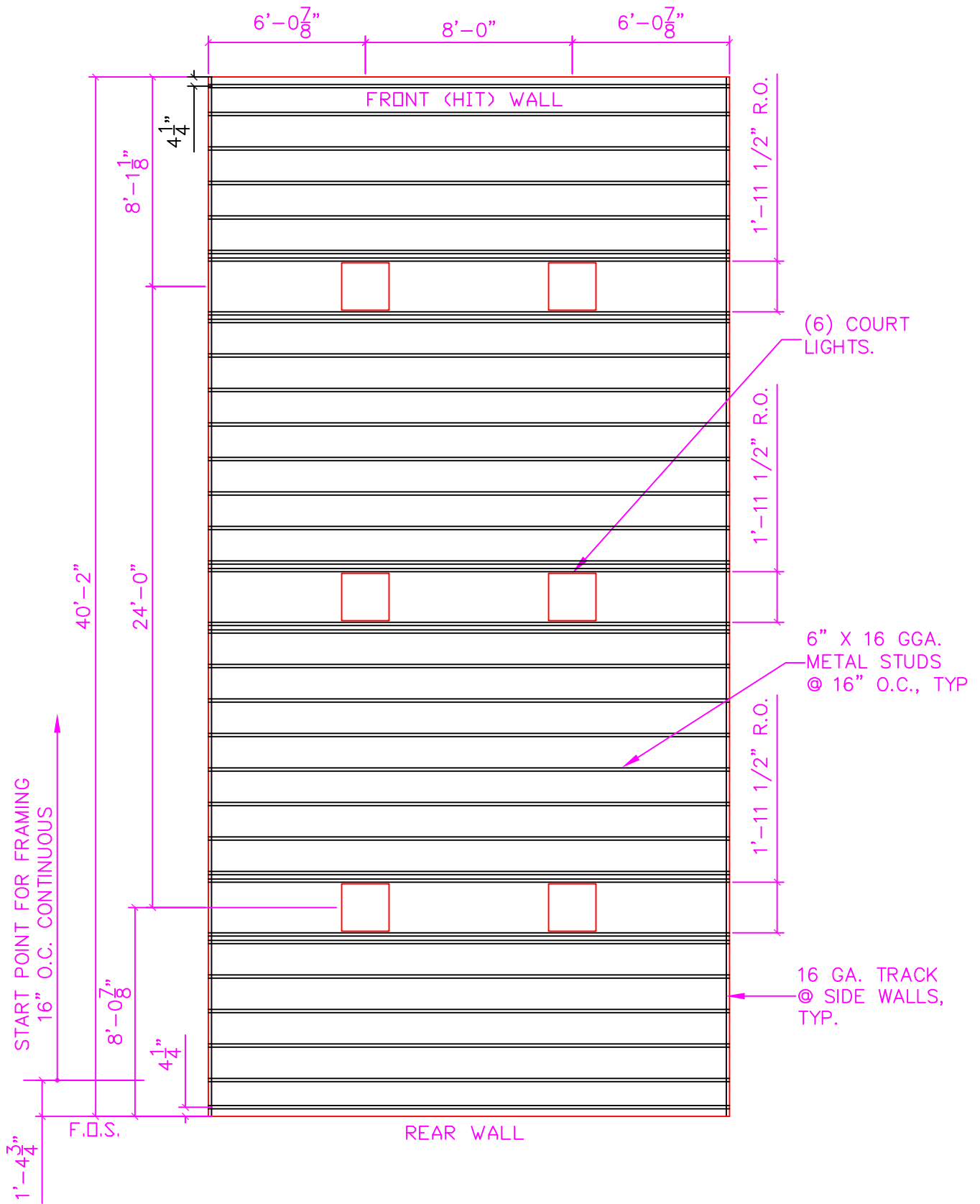


10 17	REV:
	SALES: JRH
	DRAWN BY: JRH
	CHECKED BY:
	DATE: 7/25/16

PROJECT:
Standard Racquetball Court
Rear Wall Framing with Glass
Depressed Slab



**CLASSIC
WOODWORKING**
PO Box 127
North Plains, OR 97133
(503) 692-0800
FAX # (503) 692-7070

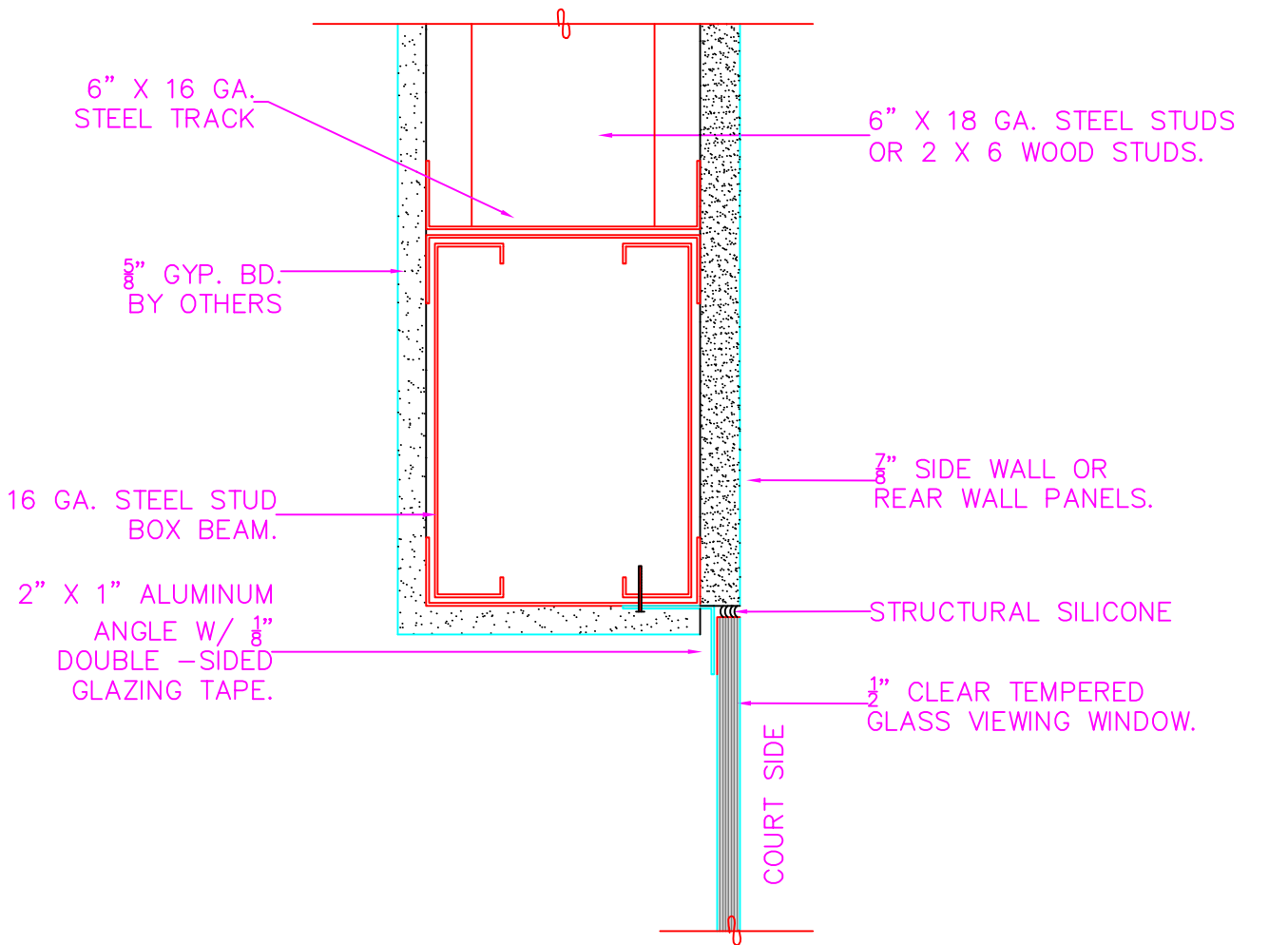


	REV:
	SALES: JRH
	DRAWN BY: JRH
	CHECKED BY:
	DATE: 7/25/16 SCALE: 3/16"=12"

PROJECT:
 Standard Racquetball Court
 Reflected Ceiling Plan Framing
 2x2 LED Lights 120V/270V

CLASSIC WOODWORKING

PO Box 127
 North Plains, OR 97133
 (503) 692-0800
 FAX # (503) 692-7070



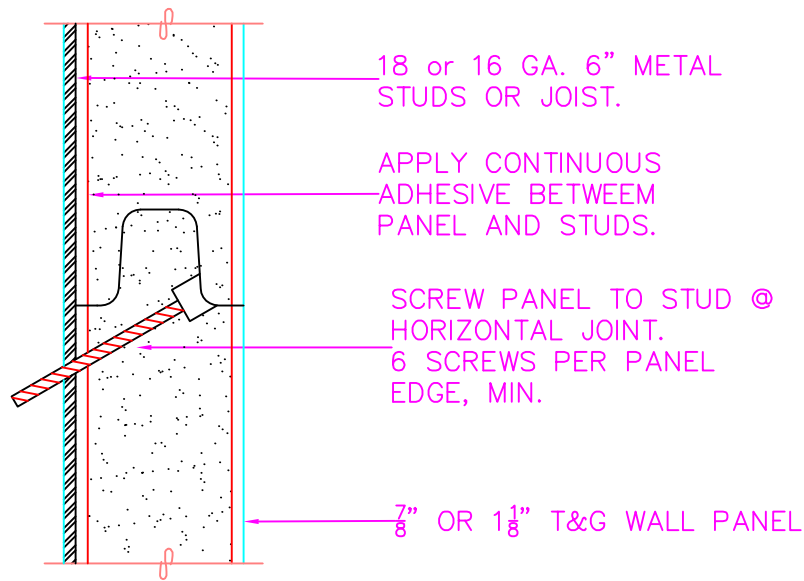
NOTE: REFER TO PAGE 11 FOR FRAMING DETAILS

NOTE: ALL CASEMENT FINISHING OUTSIDE COURT BY OTHERS

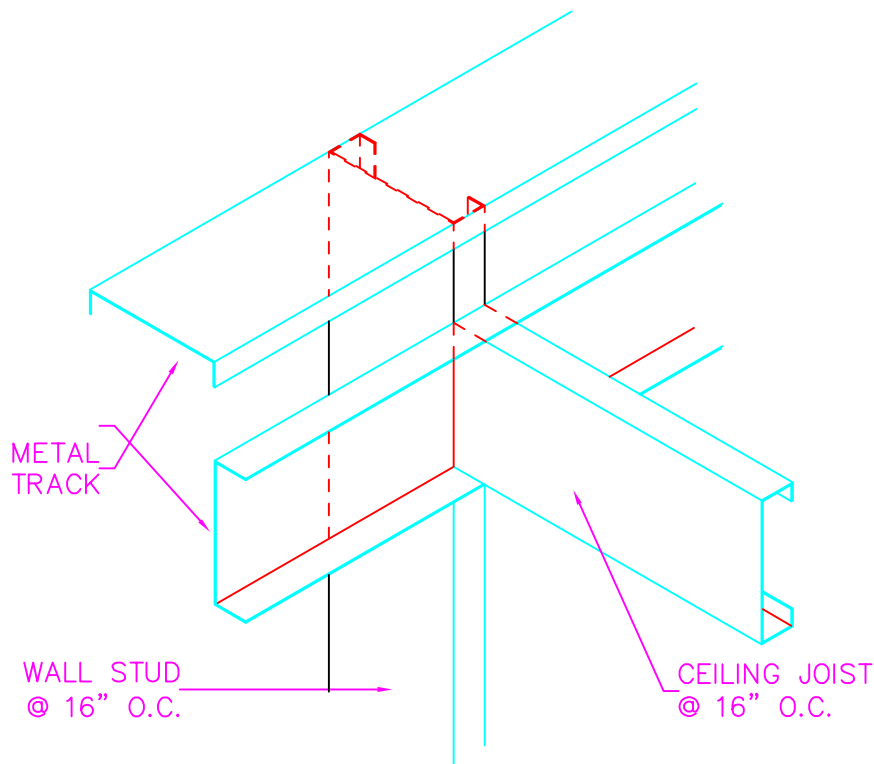
12 17	REV:
	SALES: JRH
	DRAWN BY: JRH
	CHECKED BY:
	DATE: 7/25/16 SCALE: 1:8

PROJECT:
 Standard Racquetball Court
 Glazing Glass Wall
 Above Connection

CLASSIC WOODWORKING
 PO Box 127
 North Plains, OR 97133
 (503) 692-0800
 FAX # (503) 692-7070



PANEL CONNECTION @
ALL STUDS



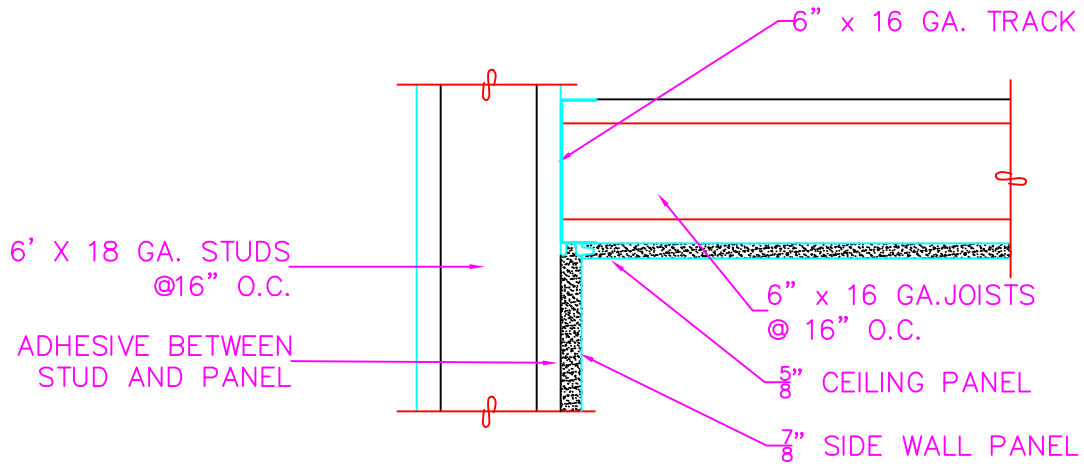
CEILING JOIST @
SIDE WALL

13 17	REV:
	SALES: JRH
	DRAWN BY: JRH
	CHECKED BY:
	DATE: 7/25/16 SCALE: 1:8

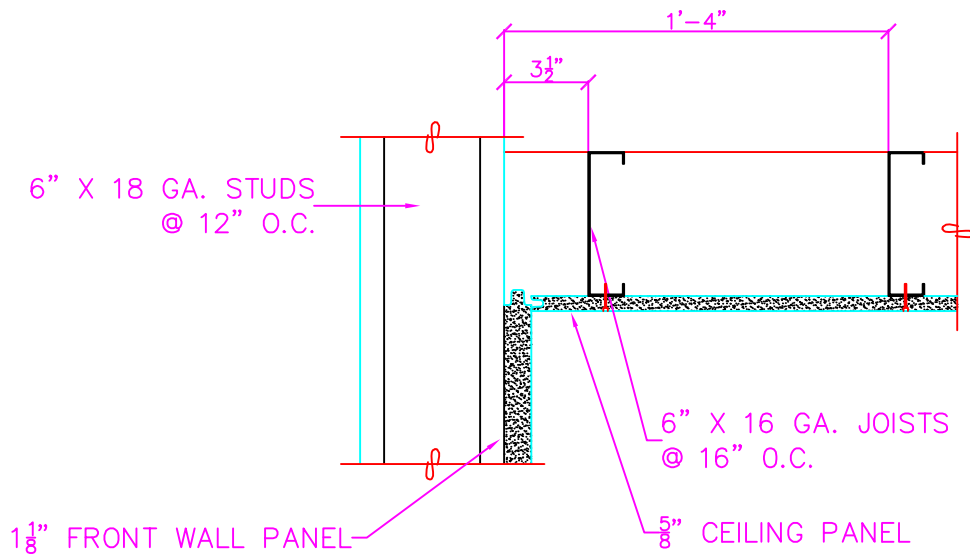
PROJECT:
Standard Racquetball Court
Ceiling Joist @ Side Wall
Panel Connections



CLASSIC WOODWORKING
PO Box 127
North Plains, OR 97133
(503) 692-0800
FAX # (503) 692-7070



SIDE WALL
CEILING CONNECTION

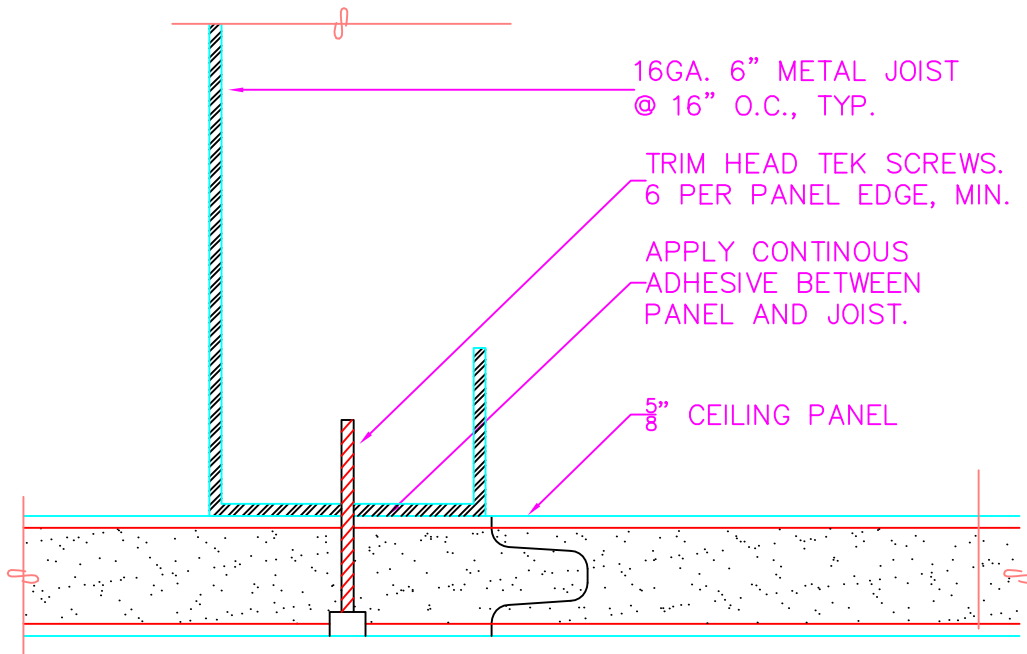


FRONT WALL
CEILING CONNECTION

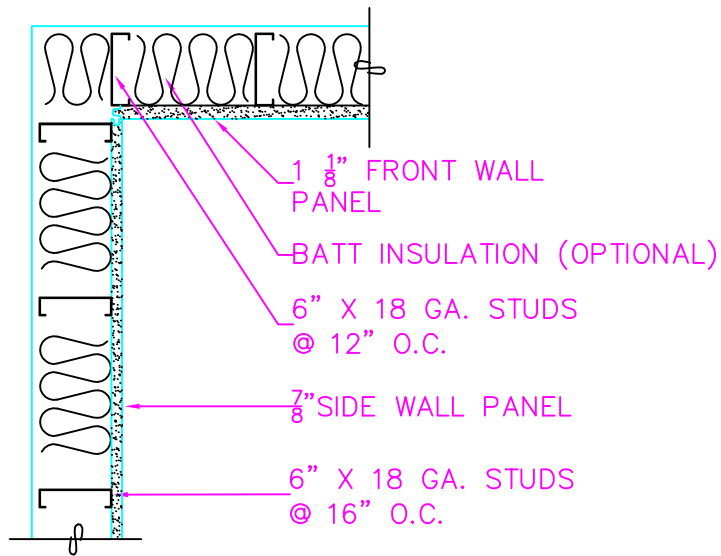
14 17	REV:
	SALES: JRH
	DRAWN BY: JRH
	CHECKED BY:
	DATE: 7/25/16 SCALE: 1:8

PROJECT:
Standard Racquetball Court
Front Wall & Side Wall
Ceiling Connections

CLASSIC WOODWORKING
PO Box 127
North Plains, OR 97133
(503) 692-0800
FAX # (503) 692-7070



PANEL @
CEILING



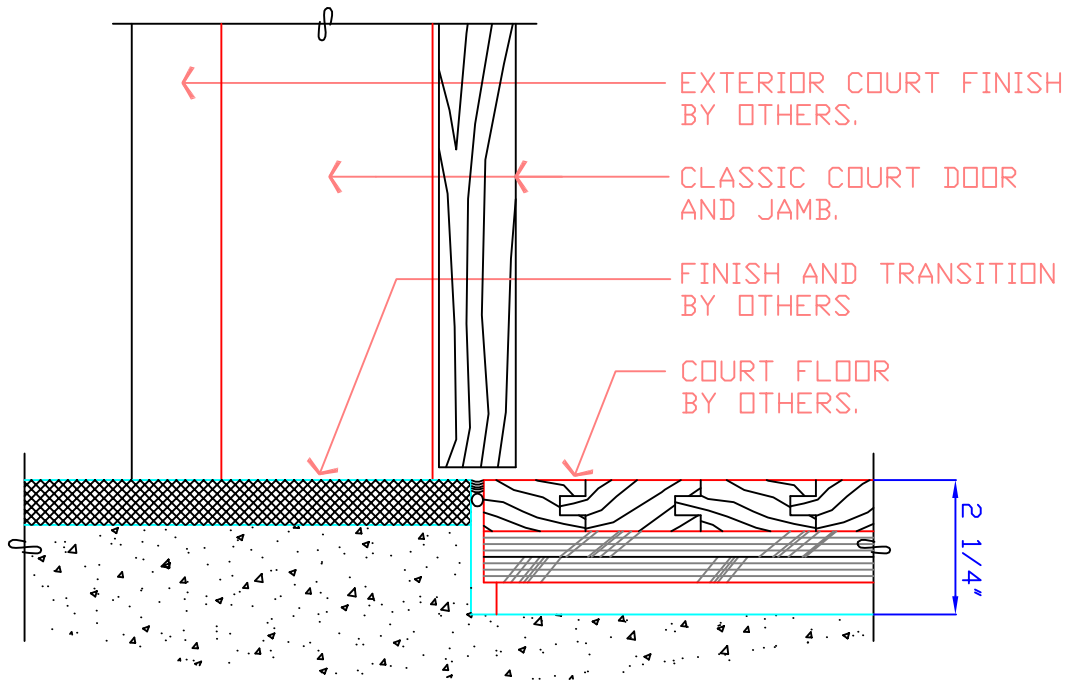
FRONT WALL
SIDE WALL CONNECTION

15 17	REV:
	SALES: JRH
	DRAWN BY: JRH
	CHECKED BY:
	DATE: 7/25/16 SCALE: 1:8

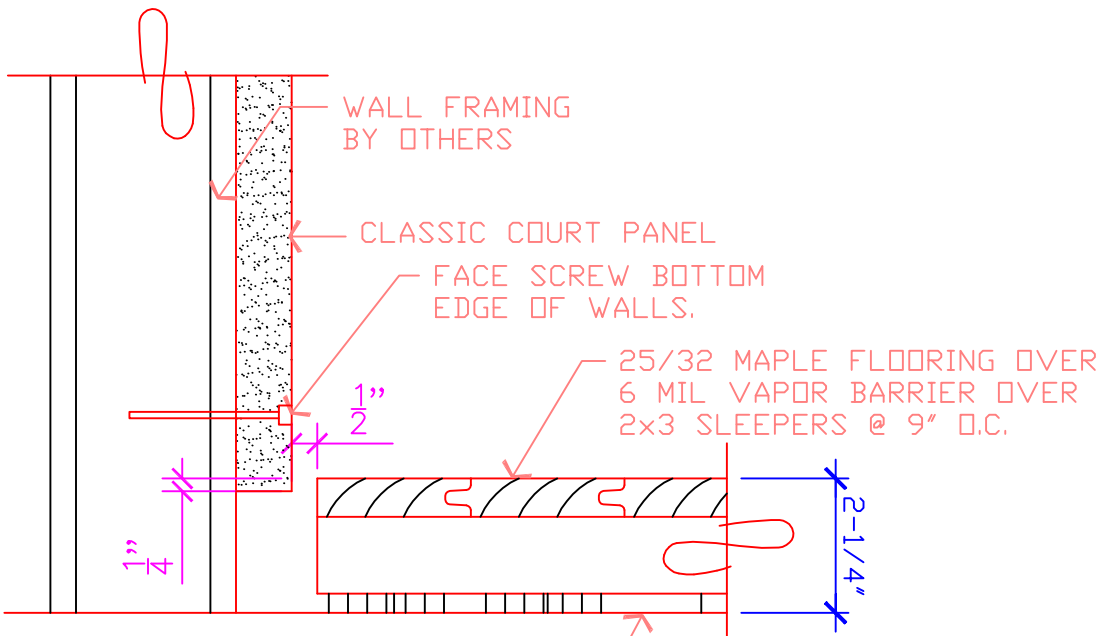
PROJECT:
Standard Racquetball Court
Panel @ Ceiling
Front Wall/Side Wall Connections



**CLASSIC
WOODWORKING**
PO Box 127
North Plains, OR 97133
(503) 692-0800
FAX # (503) 692-7070



DOOR/FLOOR
SILL



CONC. FLOOR OR SUBFLOOR MUST
BE STRAIGHT AND LEVEL.
MAXIMUM DEVIATION:
1/8" PER 10'-0" RADIUS.

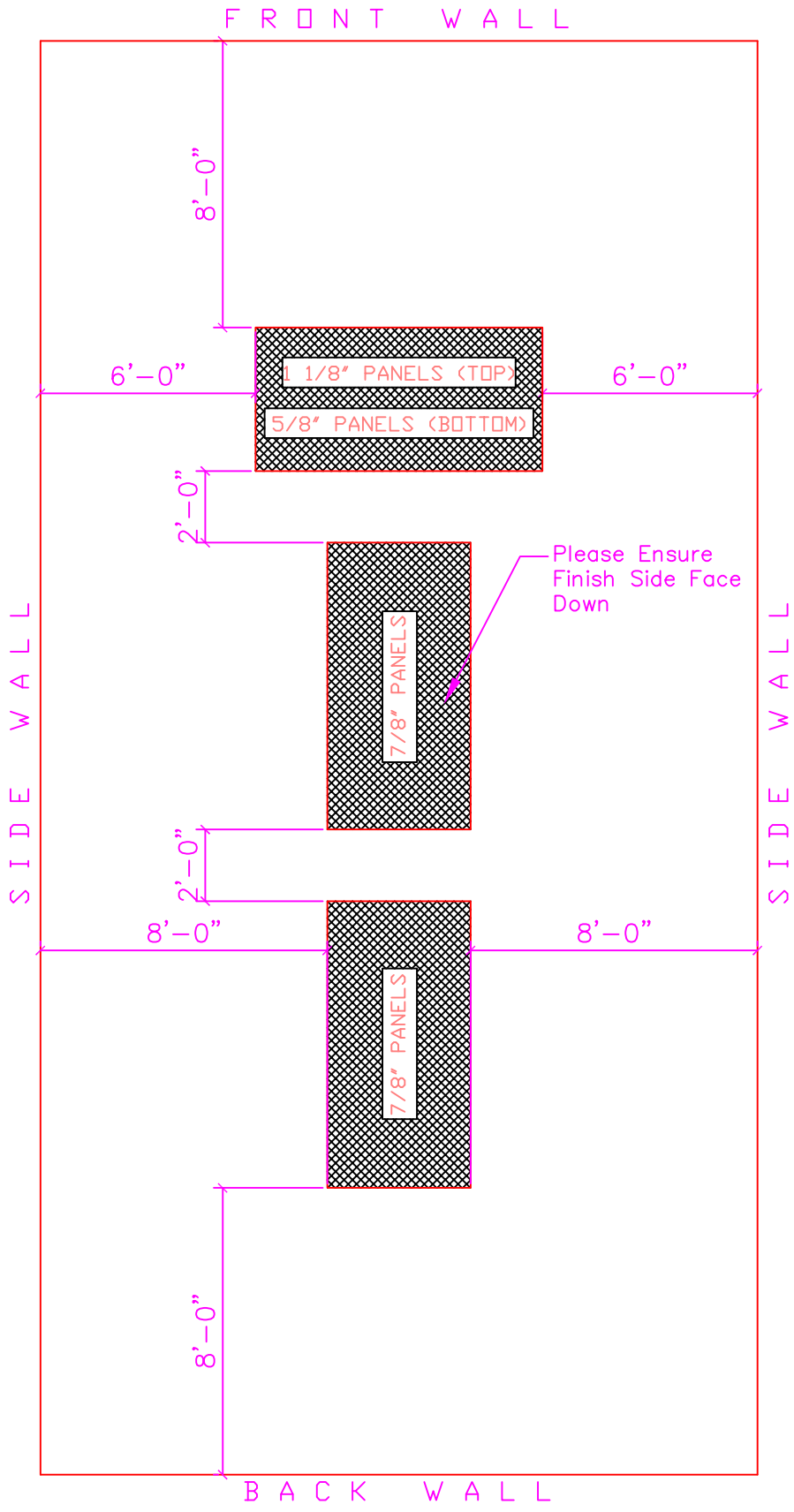
FLOOR/WALL
CONNECTION

16 17	REV:
	SALES: JRH
	DRAWN BY: JRH
	CHECKED BY:
	DATE: 7/25/16 SCALE: 1:8

PROJECT:
Standard Racquetball Court
Door/Floor Sill
Floor to Wall Connection




CLASSIC WOODWORKING
PO Box 127
North Plains, OR 97133
(503) 692-0800
FAX # (503) 692-7070



	REV:
	SALES: JRH
	DRAWN BY: JRH
	CHECKED BY:
	DATE: 7/25/16
SCALE:	

PROJECT:
 Standard Racquetball Court
 Stocking Diagram Prior to Installation



CLASSIC WOODWORKING
 PO Box 127
 North Plains, OR 97133
 (503) 692-0800
 FAX # (503) 692-7070