

SPECIFICATIONS

Mounting Frame: 20 gauge (.036") cold rolled steel (C.R.S.) die formed and welded construction with adjustable Uni-Lug levelers, for ceiling thickness of 1/2" minimum to 3-3/4" maximum. Painted sky white. See finish note.

Reflector: Aluminum .032" fabricated into one piece construction finished high gloss white 90% reflectance polyester powder coating. See finish note.

Door Frame: 20 gauge (.036") C.R.S. gasketed with two captive, countersunk fasteners, concealed stainless steel hinging, painted sky white. See finish note.

Lens: Prismatic tempered glass silicone caulked to door frame.

Ballast: Pre-wired C.W.A., H.P.F. core and coil with capacitor 120V, 208V, 240V or 277V.

Thermal Device: Automatic resetting heat sensitive device for non-IC installations. Protects fixture from overheating if insulation covers fixture.

Lamp: Clear, metal halide, mogul base (by others).

Lamp Holder: Hi-heat porcelain, 4 K.V. rated, w/nickel plated copper screw shell, spring loaded center contact, lamp grips, SF-2 leads (200° C). Impregnated gasket.

Finish: All painted parts are washed in alkaline solution, rinsed in an iron phosphate, baked dry, then painted with a TGIC polyester powder coating electrostatic applied and baked.

Labels: ETL, CETL listed, suitable for wet location under covered ceiling. I.B.E.W. labeled.

Photometric Information: Contact factory.

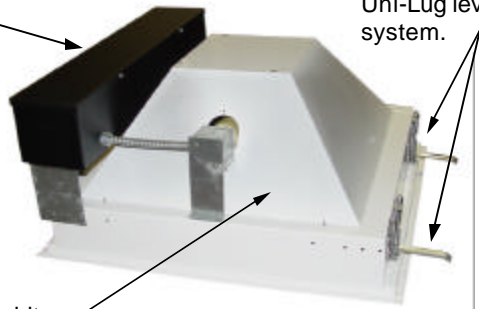
SPECIFICATIONS SUBJECT TO CHANGE WITHOUT NOTICE

Thermal protected ballast box.



C73 prismatic tempered glass lens.

Core and coil ballast.



Uni-Lug leveling system.

High gloss white reflector 90% reflective.

Typical Racquet Ball Court Installation

Room
 40' x 20' x 20'
 Reflectance
 C80% - W50% - F20%

Luminaire Esco R1728CC
 Maximum: 87.8
 Minimum: 54.4
 Average: 74.5

Lamp: 400W MH*
 Lumen Output: 40,000
 Light Loss Factor: .70
 Luminaire Spacing: 14' x 12' on ctr.

*High output lamp.

55.1	59.1	62.9	66.3	68.9	71.1	72.4	73.4	73.8	74.1	74.1	73.7	73.3	72.1	70.7	68.4	65.6	62.2	58.5	54.4
57.9	62.6	66.8	70.6	73.4	75.9	77.5	78.7	79.1	79.5	79.5	79.0	78.6	77.3	75.8	73.2	70.1	66.3	62.2	57.5
60.4	65.3	69.9	73.9	77.0	79.7	81.4	82.7	83.2	83.5	83.5	83.0	82.5	81.2	79.5	76.7	73.5	69.2	64.8	59.9
62.3	67.4	72.2	76.4	79.7	82.5	84.3	85.6	86.0	86.4	86.3	85.8	85.3	83.9	82.0	79.1	75.5	71.2	66.5	61.4
63.3	68.5	73.4	77.7	81.1	84.0	85.7	87.0	87.4	87.8	87.7	87.2	86.7	85.2	83.3	80.3	76.6	72.2	67.3	62.2
63.3	68.5	73.4	77.7	81.1	84.0	85.7	87.0	87.4	87.8	87.7	87.2	86.7	85.2	83.3	80.3	76.6	72.2	67.3	62.2
62.3	67.4	72.2	76.4	79.7	82.5	84.3	85.6	86.0	86.4	86.3	85.8	85.3	83.9	82.0	79.1	75.5	71.2	66.5	61.4
60.4	65.3	69.9	73.9	77.0	79.7	81.4	82.7	83.2	83.5	83.5	83.0	82.5	81.2	79.5	76.7	73.5	69.2	64.8	59.9
57.9	62.6	66.8	70.6	73.4	75.9	77.5	78.7	79.1	79.5	79.5	79.0	78.6	77.3	75.8	73.2	70.1	66.3	62.2	57.5
55.1	59.1	62.9	66.3	68.9	71.1	72.4	73.4	73.8	74.1	74.1	73.7	73.3	72.1	70.7	68.4	65.6	62.2	58.5	54.4

WBE City of Chicago Certified



HOW TO ORDER

R1700CC 2x2 recessed flange mount with prismatic tempered glass lens core and coil ballast 120V, 208V, 240V or 277V.



Catalog Number	Watts	Light Source	Lamp Base	Weight	Voltage Suffix
R1724CC	100	MH/PS	Mogul	41	1= 120V
R1725CC	150	MH/PS	Mogul	43	2= 208V
R17217CC	175	MH/PS	Mogul	43	3= 240V
R17225CC	250	MH/PS	Mogul	44	4= 277V
R17232CC	320	MH/PS	Mogul	46	5= 480V contact factory
R17235CC	350	MH/PS	Mogul	46	
R17240CC	400	MH/PS	Mogul	50	

EXAMPLE: R17240CC-EX-4= Prismatic tempered glass lens, 400 watt pulse start metal halide lamp, class B sound rated encapsulated core and coil ballast (potted) in class H (180°c) polyester compound, 277 volt.

OPTIONS & ACCESSORIES



Core and coil potted in class H (180°c) polyester compound, ballast system. Super silent class A noise rating through 175 watts. Class B rated for 250 and 400 watts. Suffix Catalog Number With **"EX"**

Suffix Catalog Number With	Quartz Re-strike Systems
E1A	Quartz Lamp for Re-strike Systems 100-250 Watt List price adder \$10.00 MINI-CAN SOCKET ASSEMBLY FOR SEPARATE CIRCUIT ENTRY WITH RELAY SYSTEM FOR ONE LAMP BURNING ONLY.
E2	EMERGENCY RE-STRIKE SYSTEM, MINI-CAN SOCKET ASSEMBLY (100-250 WATT MAX LAMP).
E65	EMERGENCY RE-STRIKE SYSTEM, MINI-CAN SOCKET ASSEMBLY (100-250 WATT MAX LAMP) TIME DELAY RELAY.



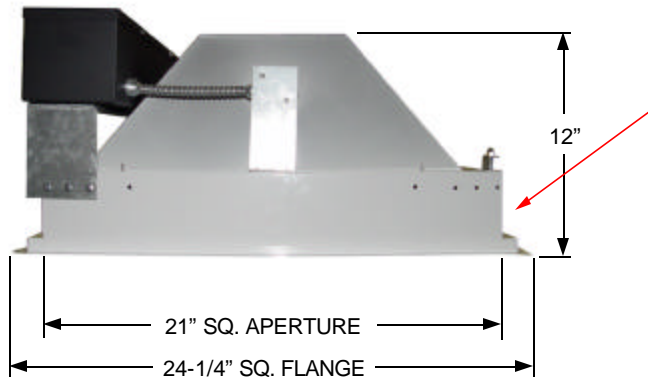
Fuse and Fuse Holder Suffix Catalog Number With **"F"**

TPS Tamper proof screwdriver.



Tamper proof screw option suffix catalog number with **TP.**

DIMENSIONS



FLANGE MOUNT DETAIL

