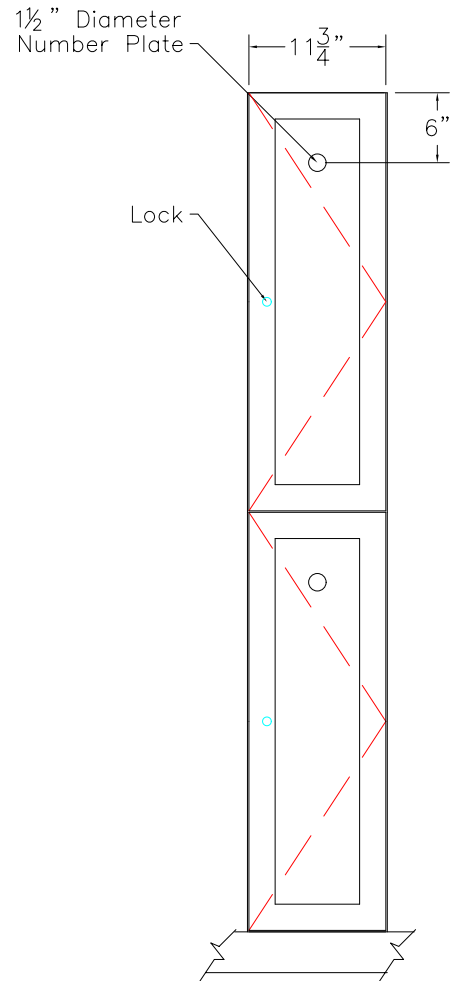
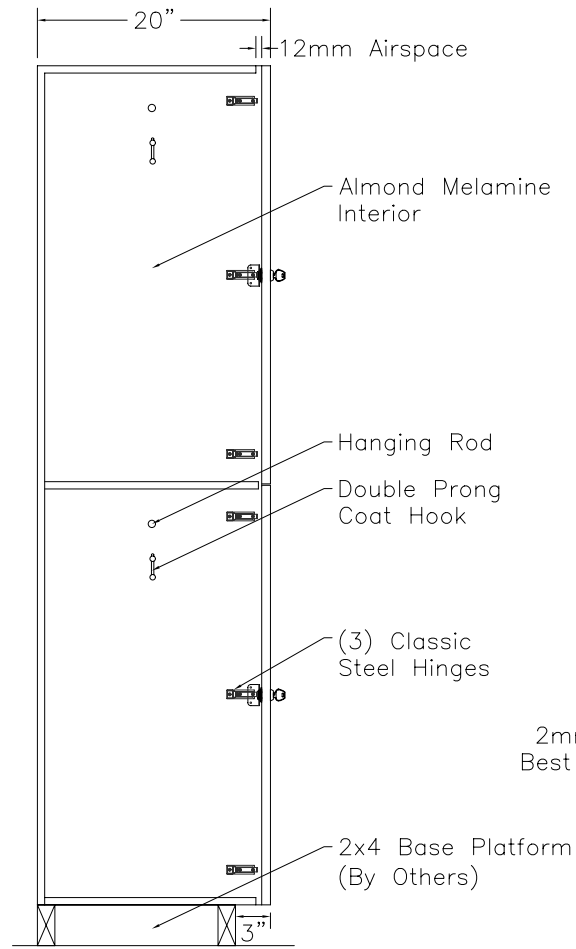


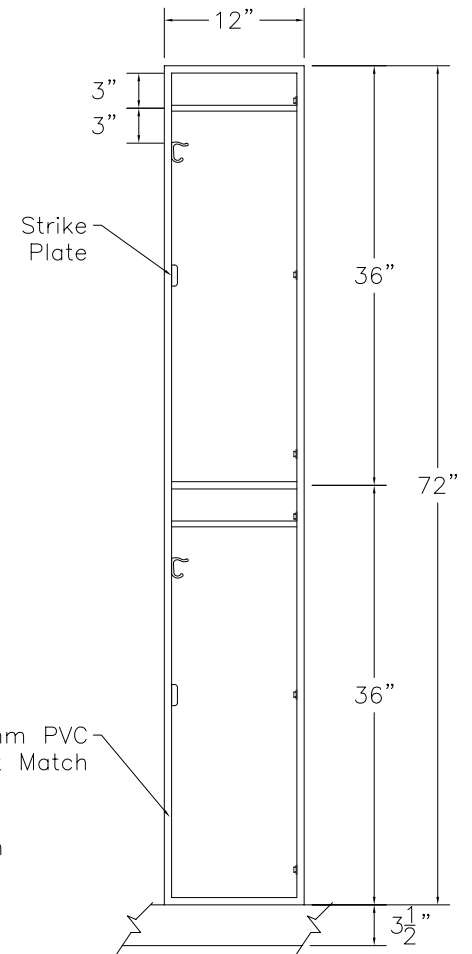
DOOR TYPE: PS Maple Veneer Shaker Panel
 STAIN/FINISH: Standard Line
 EDGE BAND: 2mm PVC Best Match
 LOCK TYPE: Five Pin Tumbler Keylock
 HARDWARE FINISH: Bright Chrome



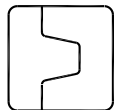
FRONT ELEVATION



SECTION VIEW



FRONT ELEV.-DOOR REMOVED



CLASSIC WOODWORKING, LLC
 8160 SW JACKTOWN ROAD, BEAVERTON, OR 97007
 P: (503) 692-0800 F: (503) 692-7070
 JRHOLLMAN@CLASSICWOODWORKING.COM

Model "B-2" - Double Tier Locker
 12"wide x 20"depth x 36"/72"height

DATE: 2/23/14	DRAWN BY: JRH	APPROVED BY:
JOB #:		
SCALE: 3/4"=12"		PAGE: 1 OF 1