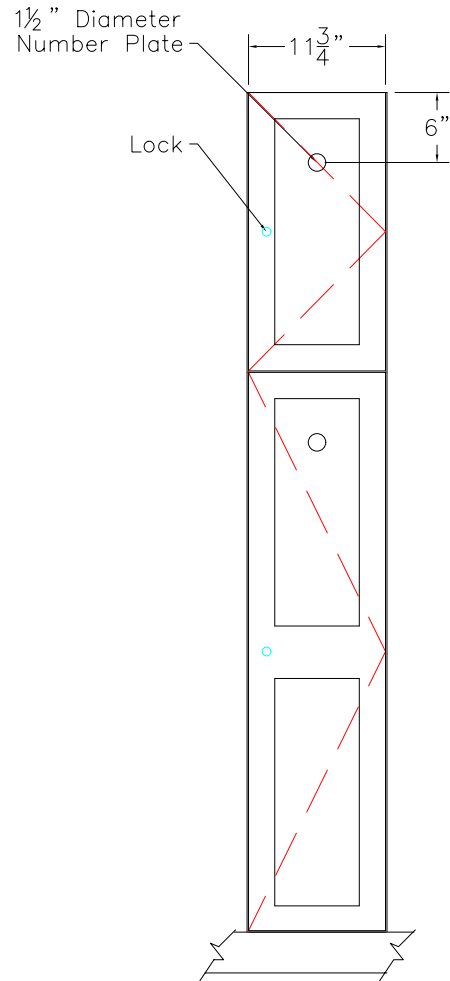
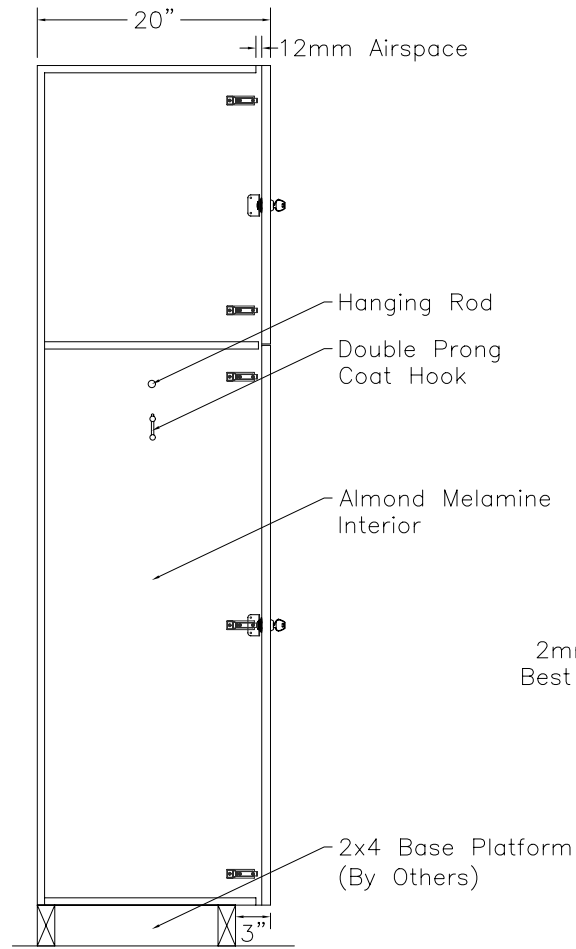


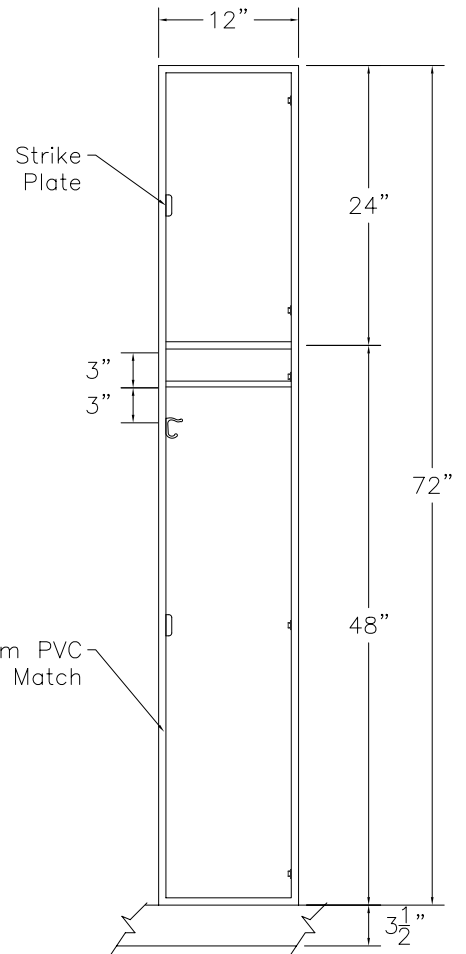
DOOR TYPE: PS Maple Veneer Shaker Panel  
 STAIN/FINISH: Standard Line  
 EDGE BAND: 2mm PVC Best Match  
 LOCK TYPE: Five Pin Tumbler Keylock  
 HARDWARE FINISH: Bright Chrome



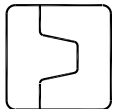
FRONT ELEVATION



SECTION VIEW



FRONT ELEV.-DOOR REMOVED



**CLASSIC WOODWORKING, LLC**  
 8160 SW JACKTOWN ROAD, BEAVERTON, OR 97007  
 P: (503) 692-0800 F: (503) 692-7070  
 JRHOLLMAN@CLASSICWOODWORKING.COM

Model "G-2" - Double Tier Locker  
 12"wide x 20"depth x 48"/72"height

DATE: 2/23/14	DRAWN BY: JRH	APPROVED BY:
JOB #:		
SCALE: 3/4"=12"		PAGE: 1 OF 1